





Model : 15G980

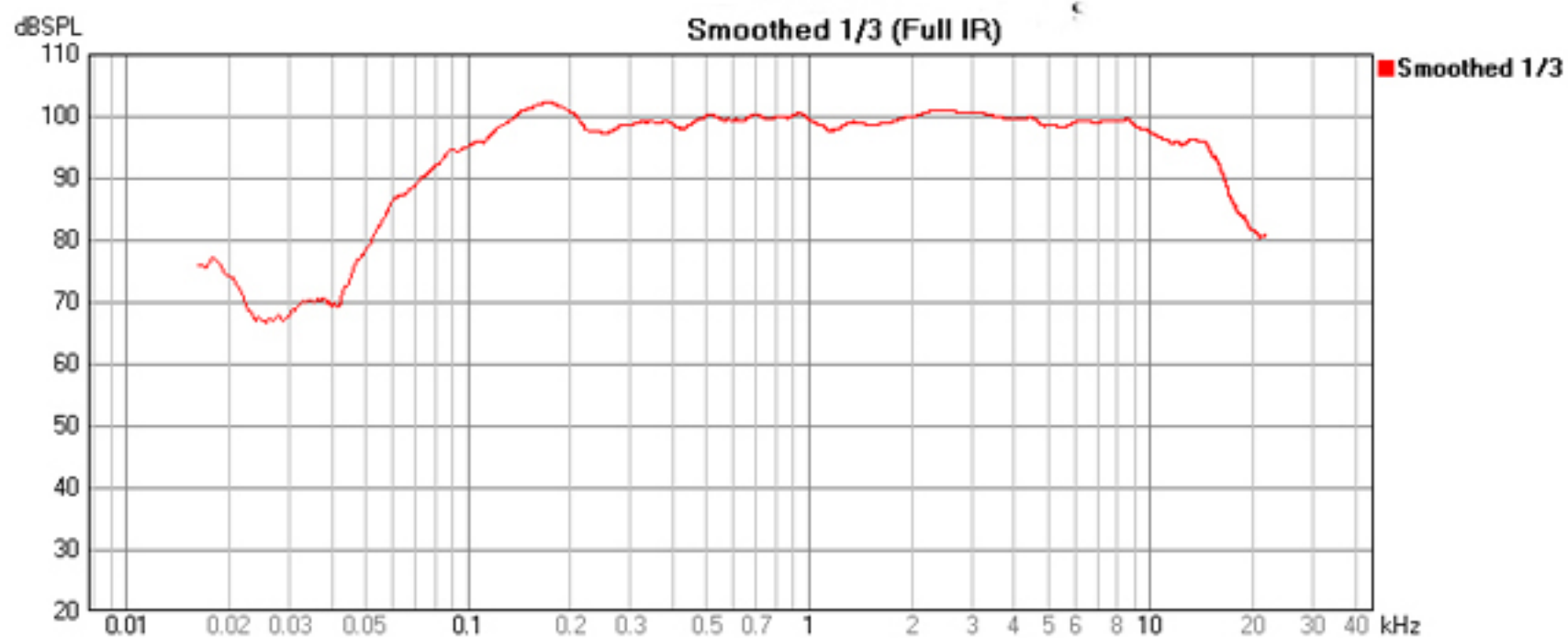
Nominal diameter	inch	15
Power handing capacity	W(RMS)	600
Program power	Watts	1200
Nominal impedance	Ohm	8
Sensitivity (1W/1m)	dB	98
Frequency range	Hz	45-2K
Voice coil diameter	in	99.5/4
Material		Ferrite



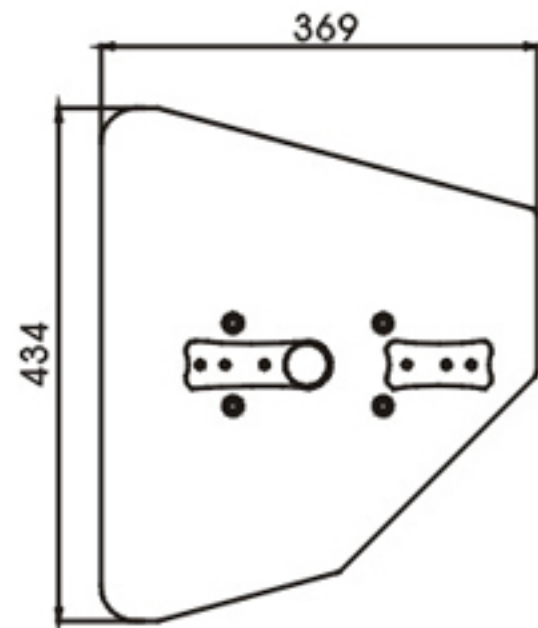
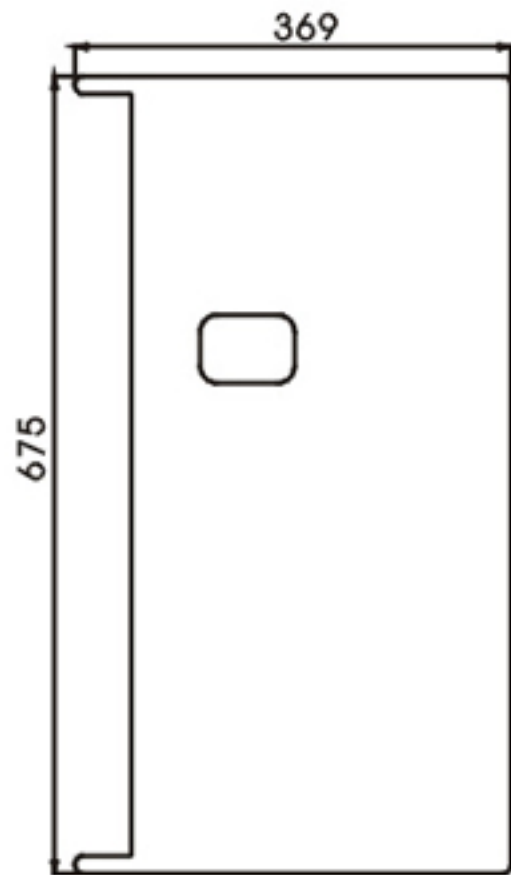
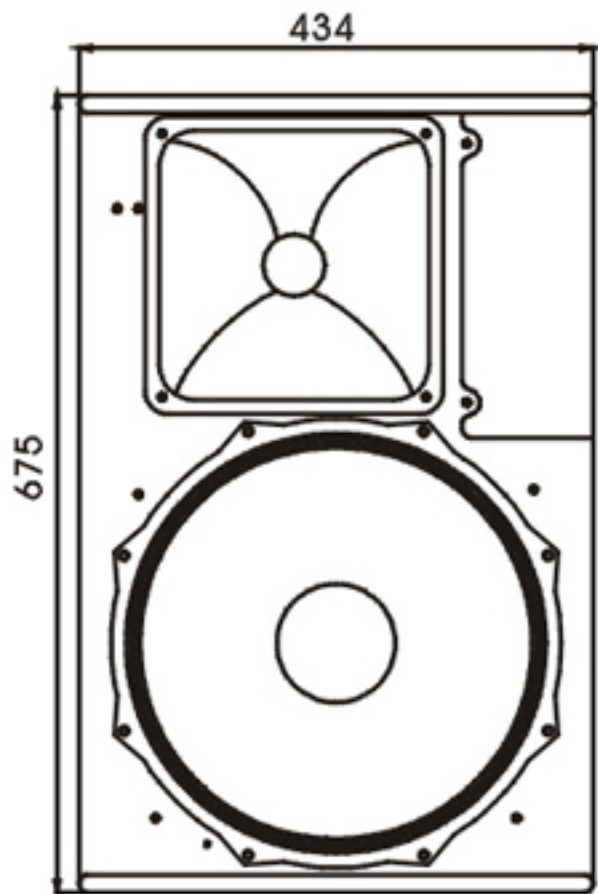
Model : P75F

Nominal diameter	inch	38/1.5
Power handing capacity	W(RMS)	70
Program power	Watts	140
Nominal impedance	Ohm	8
Sensitivity (1W/1m)	dB	110
Frequency range	Hz	700-19K
Voice coil diameter	in	74.5/3
Material		Ferrite
Timbre material		Peptide film

PS-15+ emd
Smoothed 1/3 (Full IR)



(c) EASERA



Loop Thru, Active In

