

MAX250 | MAX500 | MAX860 PLUS | MAX1500 PLUS | MAX2500 PLUS

## MAX250

320 Watt Power Amplifier

## MAX500

480 Watt Power Amplifier

## MAX860 PLUS

1200 Watt Power Amplifier

## MAX1500 PLUS

1800 Watt Power Amplifier

## MAX2500 PLUS

3000 Watt Power Amplifier



## Features

- ▶ Output power per channel (MAX250 / 500 / 860PLUS / 1500PLUS / 2500PLUS): 160W / 240W / 600W / 900W / 1500W @ 4 ohms
- ▶ Studio quality performance with very low noise and wide dynamic range
- ▶ Class H high efficiency circuitry design
- ▶ High-current toroidal transformers for greater power and low noise (MAX860PLUS / 1500PLUS / 2500PLUS)
- ▶ Ultra-low total harmonic distortion
- ▶ High damping factor provides exceptional loudspeaker motion control
- ▶ Signal and CLIP indicators to monitor performance
- ▶ Detented level controls for precise repeatability and front mounted gain controls for easy access
- ▶ Convection cooling system dissipates heat through the heat sinks and chassis for optimal cooling (MAX250 / 500)
- ▶ XLR inputs and binding post and speakon outputs (MAX860PLUS / 1500PLUS / 2500PLUS)
- ▶ Short circuit, thermal, subsonic, RF protection, output DC off set, power on/off muting
- ▶ 1 standard rack unit (MAX250 / 500)
- ▶ 2 standard rack units (MAX860PLUS / 1500PLUS / 2500PLUS)

## Description

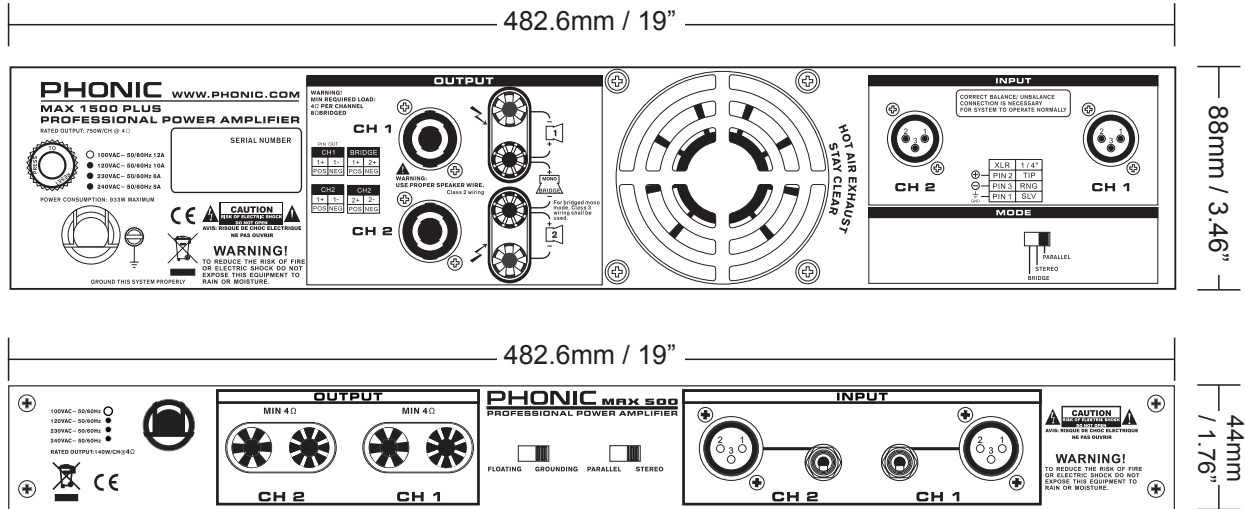
All 5 of the Phonic MAX series amplifiers provide a range of different power options, and are big on added features. Input to the MAX Plus amps is achieved via XLR connectors and output is achieved through either Speakon connectors or traditional binding posts. The MAX250 and MAX500 accept signals through XLR and 1/4" connectors, and binding posts are included for output. Common to all models is the ability to be run in both stereo and parallel modes – while the MAX Plus goes further with a bridge function – making the MAX series amplifiers ideal for real world, large scale application.

# MAX SERIES

## Professional Power Amplifiers

### Dimensions

MAX250 | MAX500 | MAX860 PLUS | MAX1500 PLUS | MAX2500 PLUS



### Specifications

	MAX 250	MAX 500	MAX 860 Plus	MAX 1500 Plus	MAX 2500 Plus
<b>Stereo Mode (driving both channels)</b>					
8Ω EIA 1kHz 0.1%THD	120W	180W	400W	560W	1000W
4Ω EIA 1kHz 0.1%THD	160W	240W	600W	500W	1500W
<b>Bridge Mono Mode</b>					
8Ω EIA 1kHz 0.1%THD	-	-	1200W	1800W	3000W
<b>All Models</b>					
Output Circuitry	Class H				
Input Sensitivity @ 8Ω	1.23V (+4dBu)				
Distortion (SMPTE-IM)	<0.01%		<0.02%		
Noise (unweighted 20 Hz - 20 kHz below rated output)	103 dB	103 dB	100dB		
Damping Factor	>300 @ 8Ω				
Frequency Response	20 Hz-20KHz, +0/-1dB; -3dB points: 5Hz-50KHz				
Input Impedance	20 K Ω balanced, 10 K Ω unbalanced				
Cooling	Convection		Continuous variable-speed fan, front-to-rear air flow		
Connectors (each channel)	Input: XLR & 1/4" TRS; Output: 5-way binding posts		Input: XLR; Output: Speakon and binding posts		
Indicators	Power: Blue LED; Signal: Green LED; Clip: Red LED		Power: Blue LED; Signal: Green LED; Clip: Red LED, Protect: Yellow		Power: Blue LED; Signal: Green LED; Peak: Red LED
<b>Controls</b>					
Front Panel	CH1 & CH2 GAIN knobs with 41 detents		CH1 & CH2 GAIN knobs with 21 detents		
Rear Panel	Slide switches: Operation mode: Parallel, Stereo; Grounding / Floating		Slide switches: Operation mode: Parallel, Bridge, Stereo; Current-Break reset button		
Protection Circuitry	Short circuit, thermal, subsonic, RF protection, output DC offset, power on/off muting				
Power Consumption	160W	210W	600W	900W	1500W
Power Requirement (depends on region)	100~120VAC, 220~240VAC, 50/60Hz				
Dimensions (WxHxD)	482.6 x 44 x 250 mm (19" x 1.73" x 5.62")	482 x 44 x 340 mm (19" x 1.73" x 7.65")	482.6 x 88 x 415mm (19" x 3.46" x 15.9")	482.6 x 88 x 415mm (19" x 3.46" x 15.9")	482.6 x 88 x 415mm (19" x 3.46" x 15.9")
Weight	6.7 kg (14.8 lbs)	7.85 kg (17.3 lbs)	14.6 kg (32.2 lbs)	14.6 kg (32.2 lbs)	14.6 kg (32.2 lbs)

Information in this document is subject to change without notice.

Page 2

MAX SERIES Data Sheet 02/07/2012

**PHONIC**  
WWW.PHONIC.COM