

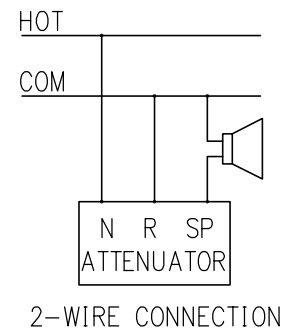
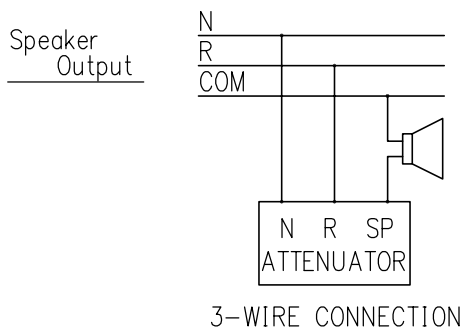
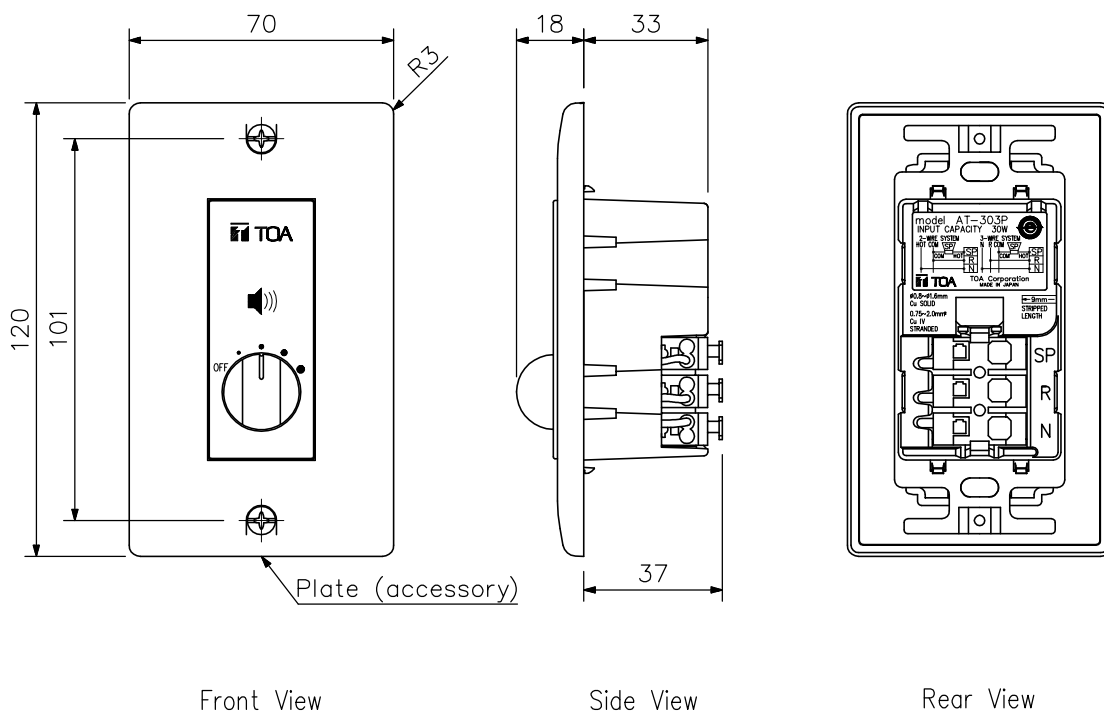
DESCRIPTION

The AT-303P is a flush-mounted wall attenuator and uses a transformer which allows connection of a wide range of loads (under 30W). Volume can be adjusted in five steps. The AT-303P features push-in terminals, each of which accepts two conductors for easy bridging.

SPECIFICATIONS

Input Range	0.5 – 30 W
Attenuation	5 steps (0 dB, -6 dB, -12 dB, -18 dB, OFF)
Usable Cable	600 V vinyl-insulated cable (Indoor Vinyl or Heat-resistant Indoor Vinyl cable) Solid cable: $\phi 0.8 - \phi 1.2$ mm Stranded cable (7 cores): 0.75 – 1.25 mm ²
Terminal	Push-in connector (bridging terminal)
Finish	Knob, panel, plate: ABS resin, milk white Case: ABS resin, black
Dimensions	70 (W) × 120 (H) × 55 (D) mm (with plate)
Accessory	Plate *1, Plate mounting screw *2, Box mounting screw *2

APPEARANCE



UNIT: mm SCALE: 1/2