

SRP112SE

Professional
Loudspeaker



Key Features:

- Compact Active subwoofer system
- Built-in high efficient and low distortion amplifier
- Smooth Response With High Power Handling Capacity (Long Term/Max), 122dB/125dB
- 12" LF Transducer
- Stackable array system
- Complete Mounting Solutions



General Description and Applications:

SRP 112SE is a compact, active subwoofer system. Through the use of proprietary amplifier technology, Precision manufactured woofer technology and the innovative implementation of a high efficiency chamber design, SRP112SE deliver tight, fast, controlled bass response.

Optional balanced and unbalanced signal input, Adjustable 80 to 320 Hz low pass filter. phase reverted switch available, Built-in power limit protection circuit.

Technical Specification:

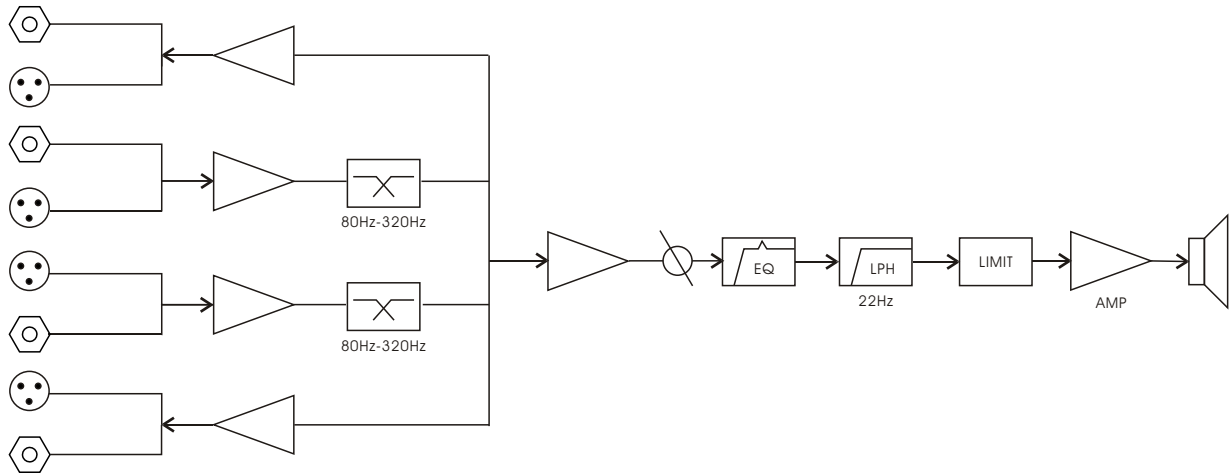
Freq.Range(-10dB):	45Hz~320Hz
Freq.Response(-3dB):	50Hz~250Hz
Max Calculated SPL:	125dB
Amplifier Power:	250W
LF Transducer:	12"/65mm
Crossover Frequency:	80Hz~320Hz Adjustable
Output Connector:	Pre output XLR
Input Impedance:	Balance 20k/nobalance 47k
AC Input:	AC 220V 50Hz
Dim (W×H×D):	405mm×460mm×480mm
Net Weight:	26Kg
Shipping Weight:	28Kg

SRP1125E

Professional
Loudspeaker



Block Diagram



Dimension Drawings

