

APPLICATIONS

- Mid-/large-sized PA systems
- Halls, auditoriums, amphitheaters
- Gymnasiums, fitness centers, dance studios
- Houses of Worship
- Bars, restaurants, clubs
- Mobile DJ systems
- Special events, presentations, weddings, etc.

FEATURES

- 800 Watt passive 2-way speaker
- 12" LF transducer with 2" voice coil
- Dual driver protection circuits
- Compact, lightweight design; trapezoidal cabinet
- Use as traditional upright loudspeaker or floor wedge monitor
- Two parallel Speakon NL4 jacks for input and loop-through connection
- 36 mm pole socket
- Multiple rigging points
- Designed and tuned in the USA

ACCURACY. POWER. PORTABILITY. AFFORDABILITY.

These are the cornerstones of TRUESONIC speakers, which provide exceptionally transparent sound for musicians and live sound engineers alike. TRUESONIC speakers enlist their ultra-pure signal path, super-efficient driver design, and durable, lightweight polypropylene enclosures to deliver precise reproduction of deep lows, crystal-clear high end and smooth mid-range. With TRUESONIC speakers, what you put in is exactly what you get out.

TRUESONIC TS112

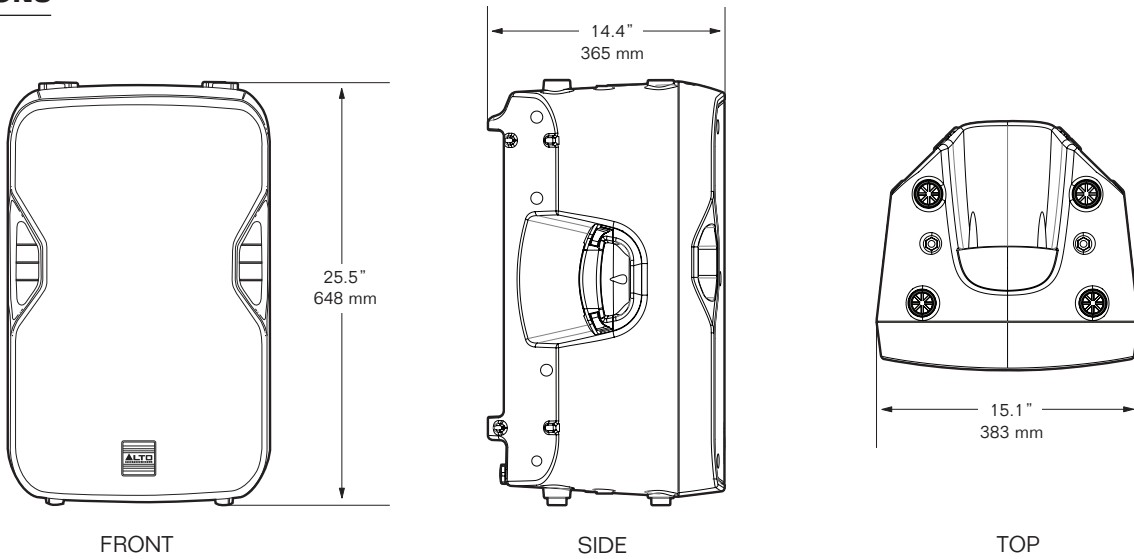
The TS112 was designed with versatility and longevity in mind. The TS112's trapezoidal design greatly decreases the resonance of the standing wave in the cabinet, producing a truer and more exact sound reproduction. This durable, lightweight enclosure is stand-mountable for weekend gigs and flyable for more permanent installations. Both the 12" low-frequency and 1" high-frequency drivers in the TS112 are designed to be super efficient. This translates into more of the power from your amplifier actually working to generate sound rather than heat. Inside and out, every component of the TS112 was developed to provide accurate, transparent, powerful sound.



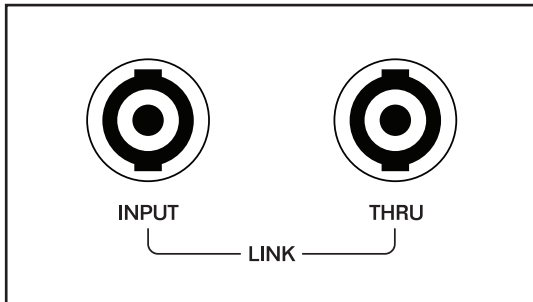
SPECIFICATIONS

Transducer Low:	12" woofer, with 2" voice coil
Transducer High:	Neodymium compression driver, 1" exit with 1" voice coil
Power Rating:	800 Watts peak, 400 Watts program, 200 Watts continuous
Rated Impedance:	8 Ohms
Frequency Range (-10 dB):	52 Hz -18 kHz
Sensitivity (1 W, 1 m):	96 dB (SPL)
Maximum SPL @ 1 m :	125 dB peak, 119 dB continuous
-6 dB Nominal Coverage:	(80° / 100° H x 60° V)
Passive Crossover:	2.15 kHz, 12 dB/oct, with HF protection
Connectors:	2 x NL4
Enclosure:	Trapezoidal, with floor monitor capability. Injection-molded polypropylene enclosure, with perforated steel grille.
Mounting:	Integrated pole socket (36 mm dia.) Two handles, 6 M10 threaded sockets: 2 top, 2 bottom, 2 pullbacks
Dimensions (HxWxD):	25.5" x 15.1" x 14.4" (648 mm x 383 mm x 365 mm)
Weight (Net/Shipping):	36.2 lbs (16.46 kg) / 40.96 lbs (18.58 kg)

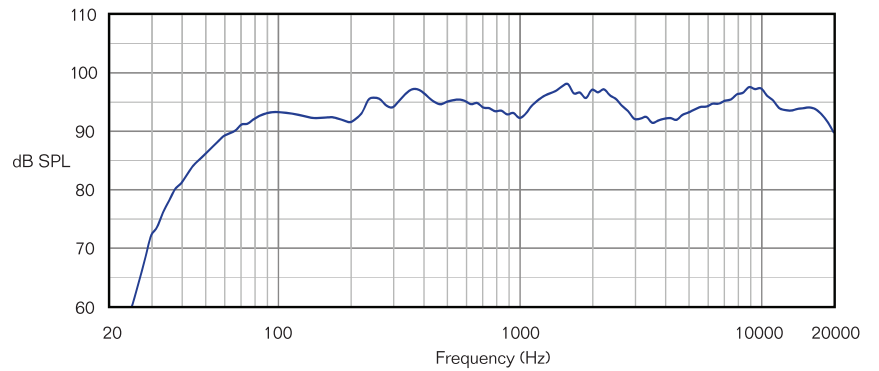
DIMENSIONS



CONNECTORS



ON-AXIS FREQUENCY RESPONSE



BLOCK DIAGRAM

